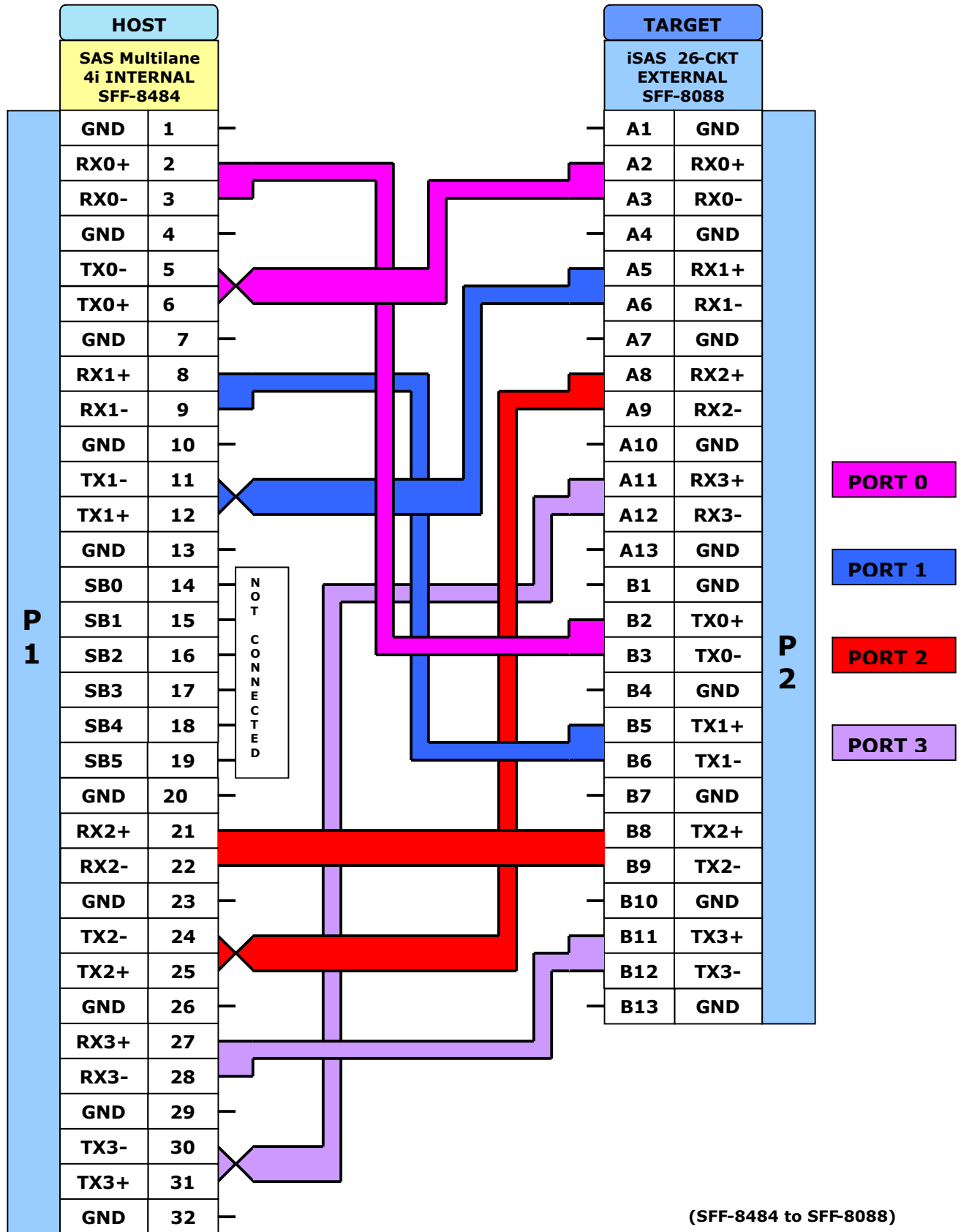


Rev	Date	Revision	ECO
A	11/28/06	Released	N/A



**Description: Cable, Host Based SAS Internal Multilane 4i, TO Target Based 26-CKT External Mini-SAS, Universal Key**

.xx=±0.13mm  
.x =± 0.25mm

Drawing No.  
**SAS-8488-U/xm**

Sheet No.  
2of 2

Rev.  
A